

Quarry & Mining Equipment Ltd
Coolfore Road,
Ardracran,
Navan,
Co. Meath,
Ireland.



Tel +353 871491945
email: jrooney@qme.ie

<http://www.QME.ie>
VAT No: IE 4849287S

2019 Epiroc MT65 Mine Truck

Manufacture Serial No: 8997 7249 00

2260 Hours from new. Full-service history with Epiroc care package. All services carried out using genuine Epiroc spare parts and filters fitted by Epiroc team.



Quarry & Mining Equipment Ltd
Coolfore Road,
Ardbraccan,
Navan,
Co. Meath,
Ireland.



Tel +353 871491945
email: jrooney@qme.ie

<http://www.QME.ie>
VAT No: IE 4849287S

- **Cummins QSK19 Tier 2/EU Stage 11**

- Tyres 35/65R33 (with Tyre Monitoring)
- 36m³ Ore Box

Cabin

- Auto Cabin Climate Control
- Air suspended seat & 4 point retractable seat belt
- RCS Control
- Mine Radio Antenna Mount
- Media player
- Cabin Raise kit

System

- Electric Brake Release Pump
- Electric Hydraulic tank fill pump

Drive train

- Neutral brake apply
- Door open brake apply

Electrical System

- 24/12V power converter
- Main power switch
- Canopy lights, rear
- Right hand side camera
- Side light – opposite operator
- Tail and brake lights
- Turn signals – front and rear
- Position lights/turning lights
- Audio-Visual Reverse alarm
- Emergency Stop
- Engine starter isolation switch
- Loading camera and Load lights
- Certiq Telematics solutions Professional

CE Requirements

- Ansul Dual Bottle Fire Suppression with Engine Shutdown
- Detachable Service Light
- Emergency Steering

Other

- Load weighing system
- Automatic Lubrication system with timer
- MT65 Wiggins Central Service Points: Engine, Transmission, Hydraulic and brake oil and engine coolant
- Wheel chocks and Chock Brackets
- Guard rails

Quarry & Mining Equipment Ltd
Coolfore Road,
Ardracran,
Navan,
Co. Meath,
Ireland.



Tel +353 871491945
email: jrooney@qme.ie

<http://www.QME.ie>
VAT No: IE 4849287S



Quarry & Mining Equipment Ltd
Coolfore Road,
Ardracran,
Navan,
Co. Meath,
Ireland.



Tel +353 871491945
email: jrooney@qme.ie

<http://www.QME.ie>
VAT No: IE 4849287S



Quarry & Mining Equipment Ltd
Coolfore Road,
Ardbraccan,
Navan,
Co. Meath,
Ireland.



Tel +353 871491945
email: jrooney@qme.ie

<http://www.QME.ie>
VAT No: IE 4849287S



Quarry & Mining Equipment Ltd
Coolfore Road,
Ardbraccan,
Navan,
Co. Meath,
Ireland.



Tel +353 871491945
email: jrooney@qme.ie

<http://www.QME.ie>
VAT No: IE 4849287S



Quarry & Mining Equipment Ltd
Coolfore Road,
Ardbraccan,
Navan,
Co. Meath,
Ireland.



Tel +353 871491945
email: jrooney@qme.ie

<http://www.QME.ie>
VAT No: IE 48492875



Quarry & Mining Equipment Ltd
Coolfore Road,
Ardbraccan,
Navan,
Co. Meath,
Ireland.



Tel +353 871491945
email: jrooney@qme.ie

<http://www.QME.ie>
VAT No: IE 4849287S

Minetruck MT65

Underground truck with
65-tonne load capacity



Quarry & Mining Equipment Ltd
Coolfore Road,
Ardracran,
Navan,
Co. Meath,
Ireland.



Tel +353 871491945
email: jrooney@qme.ie

<http://www.QME.ie>
VAT No: IE 4849287S

Efficient haulage

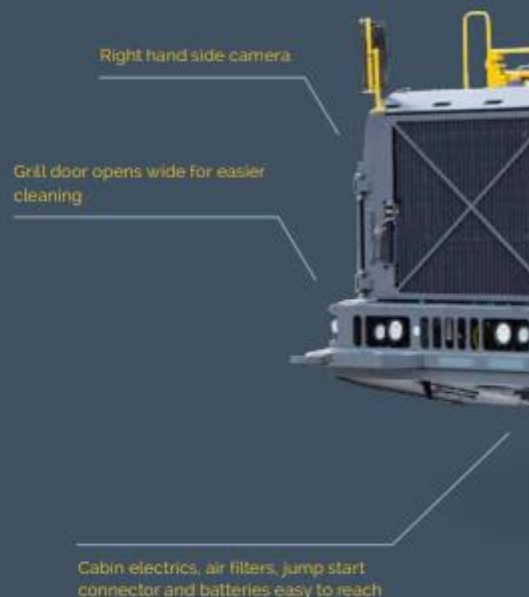
Minetruck MT65 is a high-capacity underground truck, engineered with smart features to ensure productivity in larger underground mining and construction operations.

+ Main benefits

Safety first when the Minetruck MT65 offers many safety features to secure your underground operation

Ready for automation the Epiroc's Rig Control System (RCS) enables you to control you operation and the telematics solution Certiq, machine data can be utilized to optimize production and maintenance

Comfortable in the long run thanks to the great steering feel, front-axle suspension system, comfortable seat, ergonomic controls and low noise levels this truck is comfortable to operate for long periods



Quarry & Mining Equipment Ltd
 Coolfore Road,
 Ardracran,
 Navan,
 Co. Meath,
 Ireland.



Tel +353 871491945
 email: jrooney@qme.ie

<http://www.QME.ie>
 VAT No: IE 4849287S



The cabin offers excellent comfort to the operator with low sound level, great steering sensation, air conditioning system and front axle suspension system.



The robust dump box has a load capacity of 65 metric tonnes and the load-weighting system monitors the loading process.



Best serviceability in the segment with easily accessible service points and features to ease operation.



* Optional equipment

Quarry & Mining Equipment Ltd
Coolfore Road,
Ardracran,
Navan,
Co. Meath,
Ireland.



Tel +353 871491945
email: jrooney@qme.ie

<http://www.QME.ie>
VAT No: IE 4849287S

Minetruck MT65 is designed to ramp up productivity

Minetruck MT65 is designed for fast productive haulage in large mining and construction operation. With smart system and robust component the Minetruck MT65 ensures productivity, reliability, operator safety and comfort along with ease of maintenance.



+ Safety first

Minetruck MT65 is engineered with safety in mind and includes features such as a ROPS and FOPS certified operator cabin, SAHR brakes, automatic brake test, open-door brake-apply function and exterior lights current status.



+ Ready for automation

Minetruck MT65 has integrated functions and is ready for automation. It keeps track of your operation with our telematics solution Certiq where vital equipment information can be gathered and visualized.



+ Easy maintenance and increased uptime

Service work gets done safely, quickly and easily thanks to the maintenance-friendly design. Minetruck MT65 has a superior service bay, service points reachable from ground level and service related information available in the control system.



A comprehensive service offering

Even the best equipment needs to be serviced regularly to make sure it sustains peak performance. An Epiroc service solution offers peace of mind, maximizing availability and performance throughout the lifetime of your equipment. We focus on safety, productivity and reliability.

By combining genuine parts and an Epiroc service from our certified technicians, we safeguard your productivity – wherever you are.



Technical specifications

● - Standard ○ - Option ◐ - Local adaptation

Features

Safety

- ISO ROPS and FOPS certified cabin
- Spring applied, hydraulically released brakes (SAHR)
- Automatic brake-test with logging
- 3 point contact for entry and exit to cabin
- Rear- and right hand side camera for increased visibility
- Box up stand, articulation lock and cabin tilt stand
- Brake applies after 3 seconds in neutral mode, or if the door opens at low speeds
- Guard rails can be fitted to the top of the machine
- Beacon status light showing the status of the machine

Comfort

- Front axle suspension system for superior operator comfort
- Ergonomically designed cabin for minimized operator fatigue
- Sound level in cab below 80 dB(A)
- Forward directed, air suspended seat with 3-point seat belt
- Automatic climate control unit
- Tilt-telescopic steering wheel
- Trainers seat with 2 point seat belt

Productivity

- 65-tonne capacity and high speed in ramp
- Load weighing system - maximize filling and reduce overload
- Utilize Epiroc telematics solution Certiq and enable optimization of production, maintenance and fleet
- Hydraulic operated fan and load sensing pumps for increased energy efficiency
- Smooth and precise shifting with automatic lock up and built in retarder
- Smart functions on board can be activated to protect components and systems

Serviceability

- Hoods and hatches open wide for easy reach
- Gauges onboard to effectively check pressures
- Tilttable cabin for easy access to engine compartment
- Filter monitoring on a majority of filters
- Onboard diagnostics continuously feeding the operator with key data and machine status, vital diagnostics are logged
- Automatic central lubrication with low level warning



Specifications

Capacities	
Tramming capacity	65 000 kg
Motion times	
Dumping	13 sec
Weights (standard equipped vehicle empty weight)	
Approximate weight	46 300 kg
Axle load, front end	33 600 kg
Axle load, rear end	12 700 kg

*Weights are approximate and given with filled fluids and standard configured vehicle (e.g. standard equipment, 2.2 l/m³ dump box etc.)

Engine

	Standard	Alternative*
Brand/model	Cummins QSK19 EPA Tier 2	Cummins QSK19 Tier 4 F/ Stage V
Power rating	567 kW/760 hp @ 2 100 rpm	567 kW/760 hp @ 2 000 rpm
Maximum torque	3 084 @ 1 500 rpm	3 084 @ 1 500 rpm
MSHA Part 7 ventilation rate	1 359 m ³ /min	708 m ³ /min
MSHA Part 7 particulate index	467 m ³ /min	85 m ³ /min

Standard: Dry type air cleaner, catalytic exhaust purifier and silencer, remote engine oil and cooling fluid drain, cooling package with tube type radiator.

Alternative: Different after treatment system (dry type air filter, SCR, Diesel emission fluid system with separate tank/filling point including dosing pump and hoses/cables.)

* Please note! Require ultra low sulphur diesel and low ash engine oil

Fuel

Fuel tank capacity: 844 litres	●
Fuel filtration, primary, including water trap: 7µm	●
Fuel filtration, secondary: 3 µm	●
Diesel filter with heater element	○

Axles

Brand/model: Kessler D111	●
Differentials: front, open	●
Differentials: rear, open	●

Electrical system

System voltage: start and accessories 24 V	●
Mine duty high output alternator: 140 Amps	●
Isolation switch lockout	●
Main switch isolator	●
Engine starter isolator	○
24/12 V converter	●
Driving lights LED: 3x40 W, 2x80 W	●
Tail and brake lights	●
Load lights, mounted on back of cabin/canopy	●
Side light - opposite operator	●
Front and rear turn signals	●
Front and rear position lights	●
Detachable service light (required for CE approved vehicles)	○
Machine status indicator light mounted on canopy	●
Battery jump start receptacle	○
Amber strobe light - power on	○
3x emergency stop buttons with fuel shut off valve	●



Technical specifications

● - Standard ○ - Option ⓘ - Local adaptation

Brakes

Fully enclosed, force-cooled, multiple wet discs at each wheel end	●
Service/parking/emergency brakes: SAHR	●
Brake apply after 3 sec in neutral	●
Electric brake release pump	●
Retarder, hydraulic retarder, with separate pedal	●
Separate brake cooling tank, capacity: 85 liters	●

Tires

Tubeless tires design for underground mine service*	●
Tire size front and rear: 35/65R33	●

*As applications and conditions vary, Epiroc recommends that the user consults with tire suppliers to obtain the optimum tire selection.

Operator's compartment

Forward seated cabin with steering wheel (ISO ROPS and FOPS)	●
Automatic climate control, pressurized with filtered air	●
Trainer seat with seat belt	●
Door open brake apply (at low speeds)	●
Open door retainer	●
Air suspended seat with 3-point retractable seat belt	●
Air seat suspended seat with 4-point retractable seat belt	○
Emergency exit (and rescue mission)	●
Seat cover	○
Window wipers on front and window facing towards engine	●
Sliding window on door	●
Media player	○
Horn	●
Tilt/telescopic steering wheel	●
Sun visor	○
Heated rear view mirrors	●
External sound level according to ISO 6395 L _{eqA} 117 dB(A)	
Sound level in cabin according to ISO 6396 L _{pA} 80 dB(A)	
Whole body vibration value according to EN 14253 A18 _w maximum 0.65 +/- 0.2m/s ²	

Controls and instruments

Operator display with intuitive interface	●
Logging of production data, number of dump boxes, fuel consumption and distance, engine and transmission diagnostics etc	●
Automatic brake test function with logging	●
Save machine logged data on USB memory stick	●
Load camera and load lights	○
Right hand side camera	●
Rear camera and monitor	●
Audio-visual reverse alarm	●
Highest allowed gears	○
Steering soft stop	●
Filter supervision	●
Inclination gear lockout	●
Machine protection system (engine, transmission, hydraulic, lubrication)	ⓘ
Overspeed protection system	ⓘ
Machine warm up	ⓘ
Gear lockout with tray up	●
Configurable setting at dump box up	ⓘ
Upbox/dropbox oil contamination supervision	●
Operational ID; manage operator, material, haulage points, delay codes etc.	ⓘ
Turbo timer	ⓘ
Certiq telematics solution professional version*	○
Emergency steering	○
Load weighing	○
Tire monitoring system	○

*Certain country restriction may exist

Parts and services

Preventive maintenance kits	○
Repair and rebuild kits	○
Upgrade kits	○
Service agreements	○
Reman components	○
Telematics (Certiq)	○
RigScan audits	○

Hydraulic system

Heavy duty load sensing piston pumps	●
System pressure: 23 MPa	●
Hydraulic tank capacity: 292 liters	●
Filtration, return line: 12 µm	●
Electric pump for hydraulic tank fill, 24 V	●
Arctic oil	○

Transmission

Planetary, automatic 6 speeds forward/2 speeds reverse with integral single stage converter with automatic lock up	●
Brand/model: Allison 6625	●
Upbox, power transmitted through a gear box	●
Dropbox, power transmitted through a gear box	●

Main frame

Lock or support stand on articulation, raised dump box and tilted cabin	●
Optional box sizes	○
Wheel chocks and brackets	○
Central manual lubrication system	●
Central automatic lubrication system (with low level warning)	○
Guard rails	○
Lifting lugs	●
Towing points	●
Removable belly guards	●
Engine oil pre lube	●
Corrosion resistant radiator	○
Ansil manually activated fire suppression system with engine shut down	○
Ansil checkfire automatically activated fire suppression system	○
Hand held fire extinguishes	○
Cold weather package 120 V or 240 V: Block heater, battery charger, fuel heater, hydraulic oil heater, transmission oil heater, arctic oil	○
Front-axle oscillating suspension solution with hydraulic suspension cylinders and accumulator cushioning. Maximum travel, 140 mm	●
Wiggins fast fuel fill	○
Wiggins fast fill for engine oil, transmission, hydraulic and radiator	○





Technical specifications

Grade performance*

Standard configuration, box empty

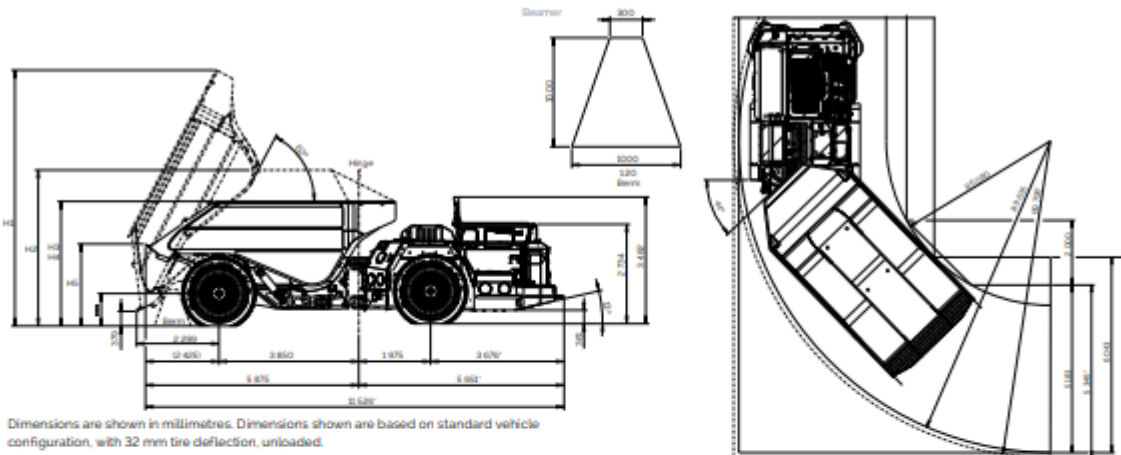
%	Grade	0.0	2.0	4.0	6.0	8.0	10.0	12.0	14.0	16.0	18.0	20.0
Ratio	Grade	-	-	-	-	112	110	18	17	-	-	15
Km/h	1st gear	6.2	6.2	6.2	6.1	6.1	6.1	6.1	6.1	6.1	6.1	6.1
	2nd gear	9.2	9.2	9.2	9.1	9.1	9.1	9.0	9.0	9.0	9.0	8.9
	3rd gear	12.2	12.2	12.1	12.1	12.0	12.0	11.0	11.0	11.0	11.0	11.7
	4th gear	18.2	18.1	18.0	17.9	17.7	17.6	17.5	17.4	17.0	15.7	13.5
	5th gear	24.5	24.3	24.1	23.9	23.7	23.5	21.8	18.3	-	-	-
	6th gear	36.3	35.9	35.4	35.0	30.0	-	-	-	-	-	-

Standard configuration, box loaded

%	Grade	0.0	2.0	4.0	6.0	8.0	10.0	12.0	14.0	16.0	18.0	20.0
Ratio	Grade	-	-	-	-	112	110	18	17	-	-	15
Km/h	1st gear	6.2	6.1	6.1	6.1	6.0	6.0	6.0	5.9	5.9	5.9	5.9
	2nd gear	9.2	9.1	9.0	9.0	8.9	8.8	8.8	8.2	7.3	-	-
	3rd gear	12.1	12.0	11.9	11.8	11.7	10.8	-	-	-	-	-
	4th gear	18.0	17.7	17.4	15.6	-	-	-	-	-	-	-
	5th gear	24.1	23.6	20.2	-	-	-	-	-	-	-	-
	6th gear	35.4	34.3	-	-	-	-	-	-	-	-	-

*These are theoretical calculations and should be seen as a reference only. 3% rolling resistance assumed. Actual performance may vary depending on the application. Continuous operation is recommended on maximum 17 grade.

1. Measurements



Dimensions are shown in millimetres. Dimensions shown are based on standard vehicle configuration, with 32 mm tire deflection, unloaded.

Dump boxes

	STD			Ejector style dump box		
Volume, SAE heaped (m ³)	40.4	36.1	32.5	29.6	27	33.5
Volume, semi-heaped (m ³)	37.2	32.7	29.2	25.9	24.1	30
Volume, SAE struck (m ³)	34	29.3	25.9	22.1	21.2	26.5
Maximum material density (t/m ³)	1.6	1.8	2.0	2.2	2.4	1.6
Dump position: box height, max (mm) H1	7 125	7 009	6 504	6 504	6 467	N/A
Height heaped load (mm) H2	3 534	3 266	3 094	3 094	2 990	3 343
Dump box spillguard (mm) H3	3 534	3 266	3 094	3 094	2 990	3 343
Dump box loading height (mm) H4	3 534	3 266	3 094	2 900	2 950	3 343
Height rear end (mm) H5	2 200	2 200	2 200	2 200	2 200	2 981
Width over dump box (mm)	3 500	3 500	3 500	3 500	3 200	3 500

*Ejector box has a different functionality, reduced capacity, different dimensions affecting turning radius etc, more sizes can be available, please consult Epiroc for more information.

